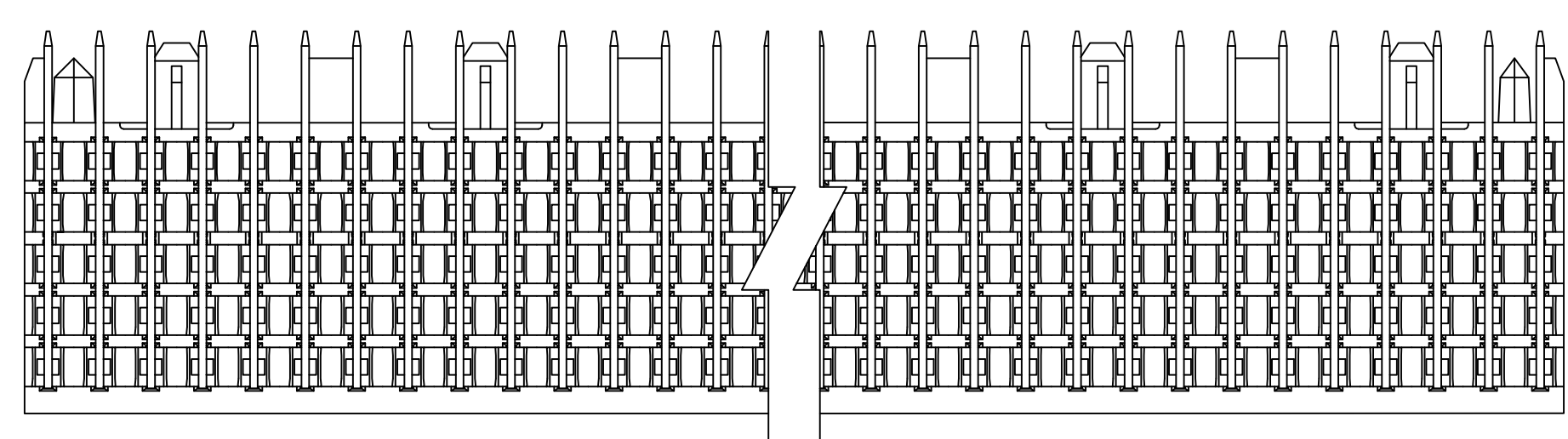
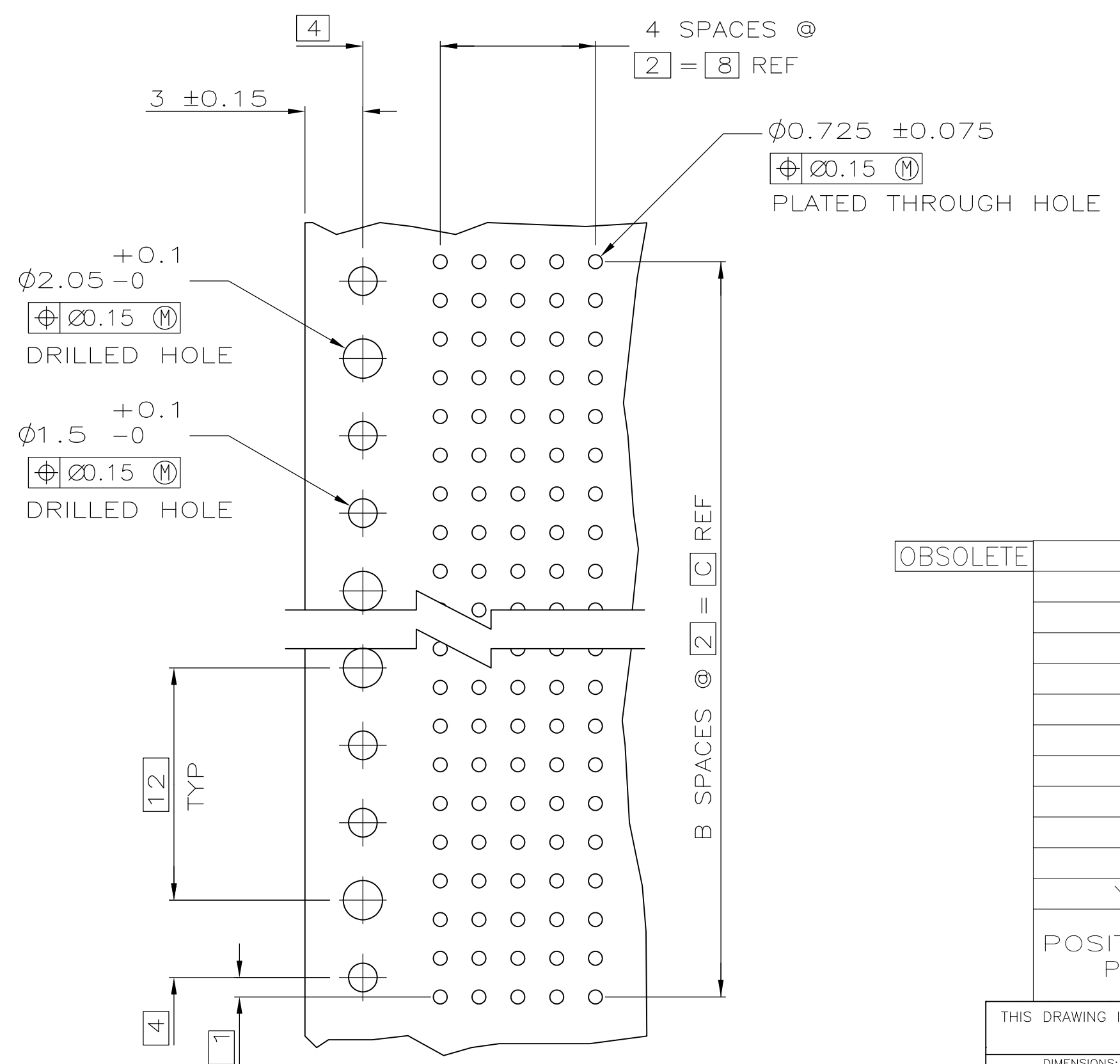
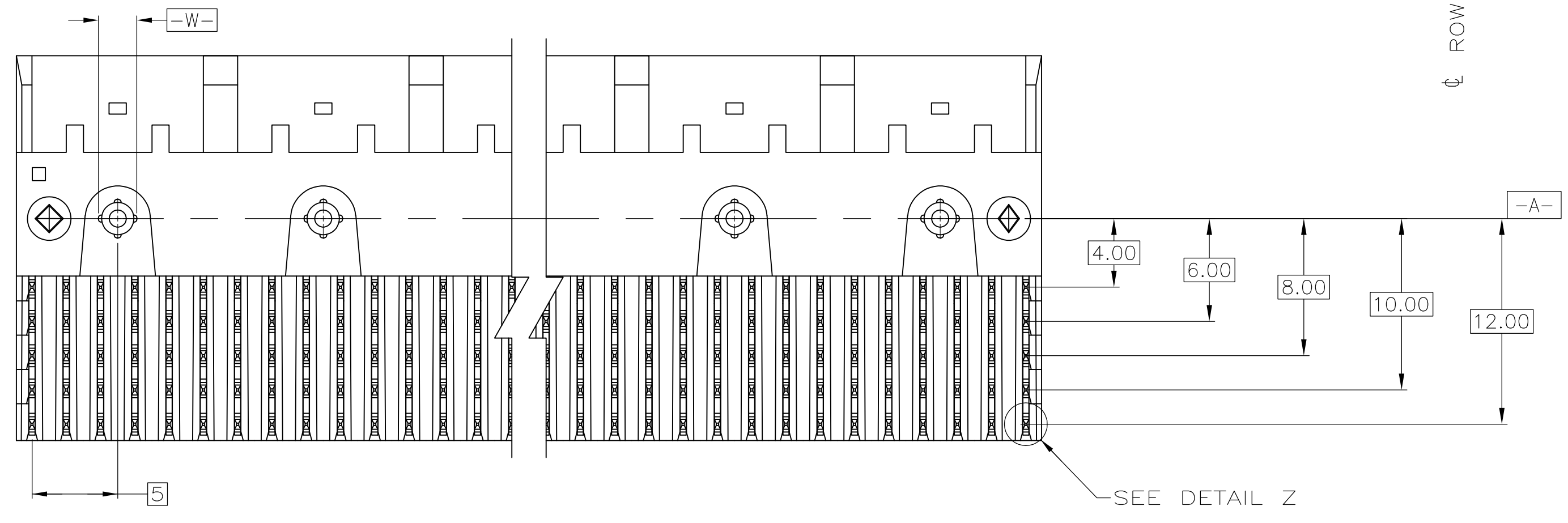
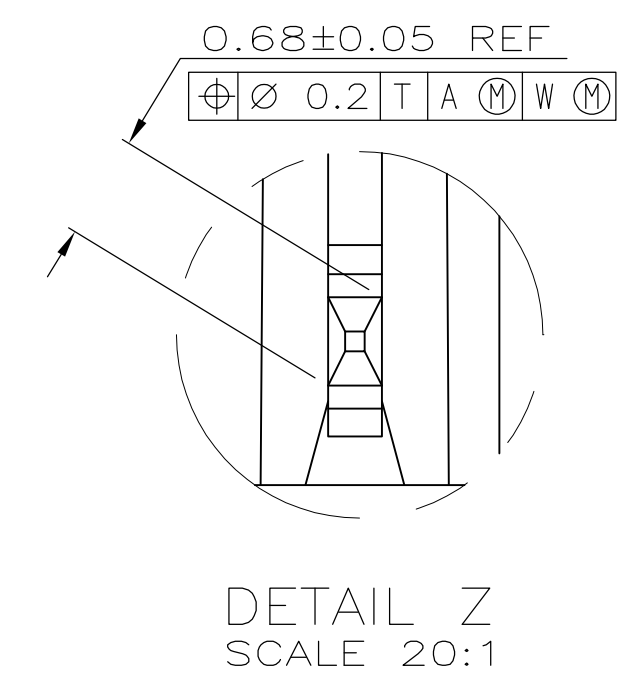
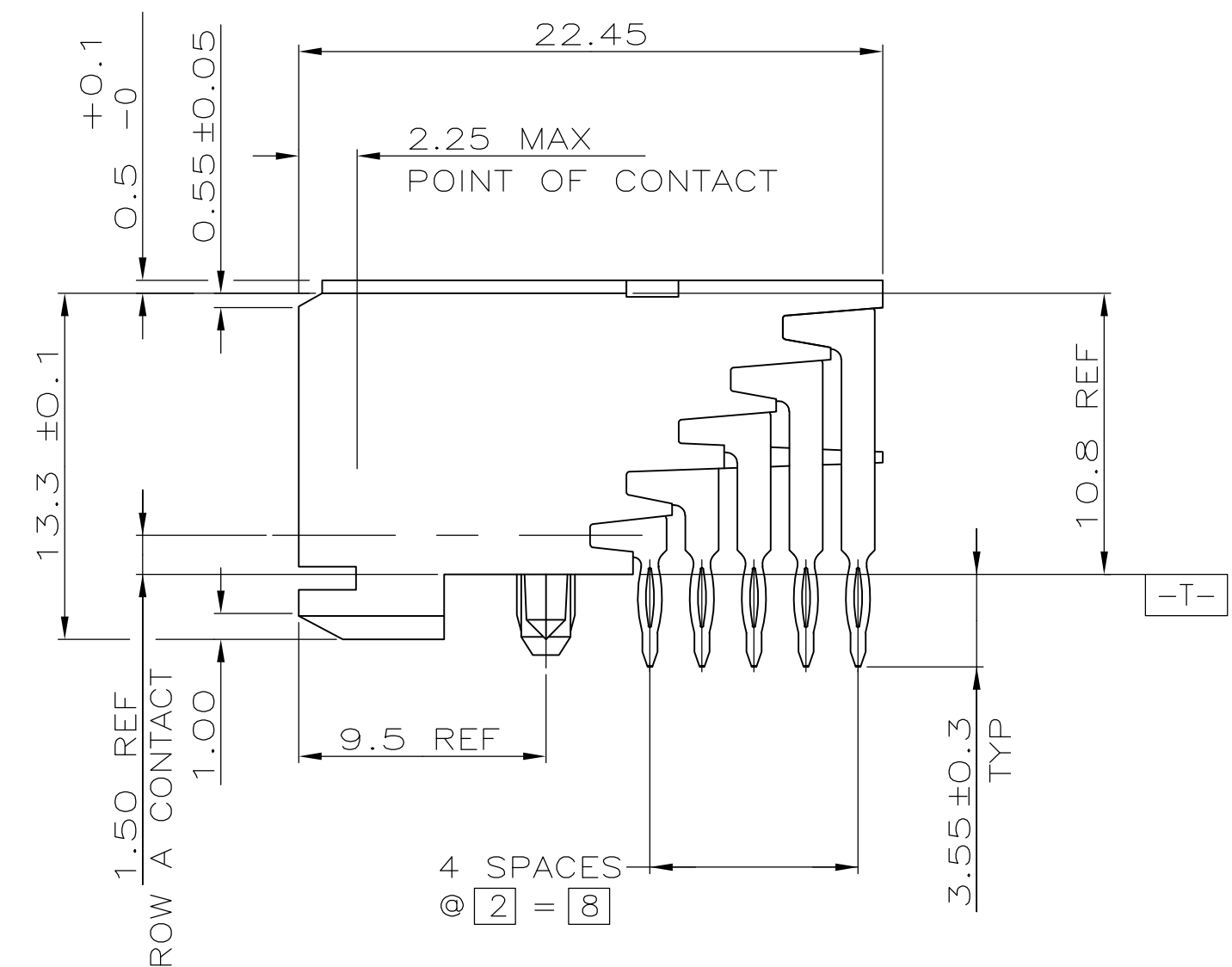
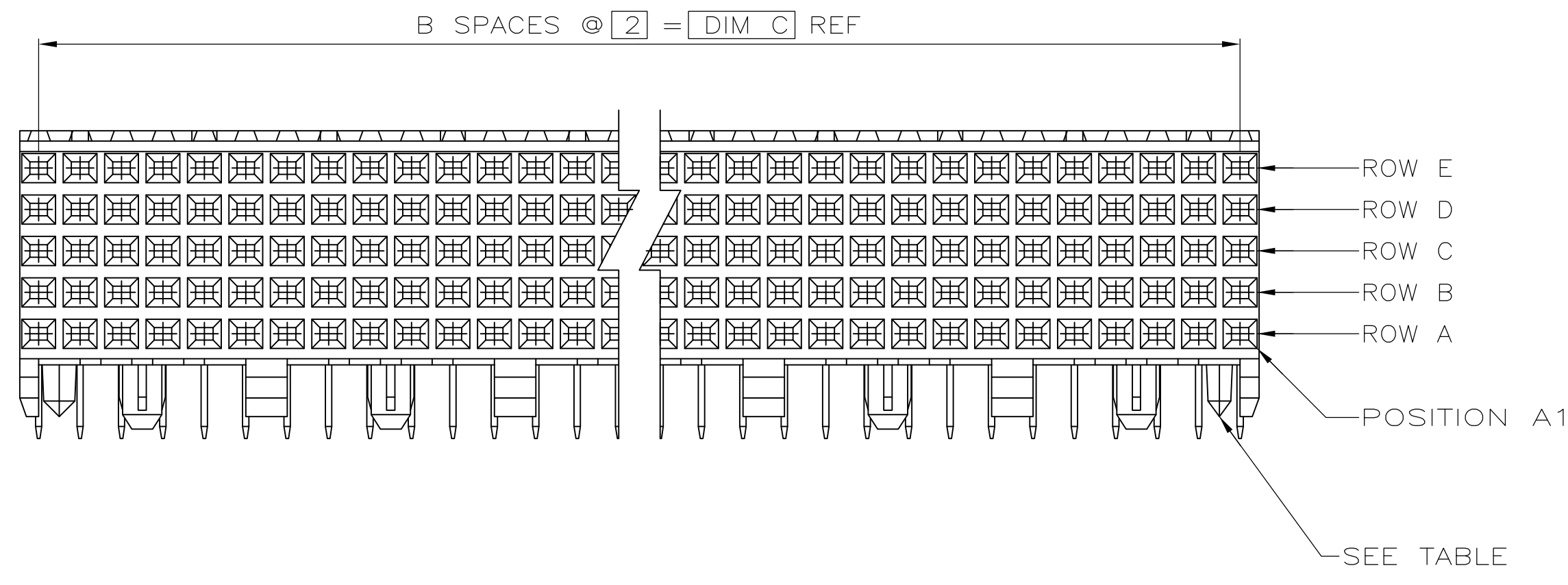


- ① HOUSING MATERIAL: LIQUID CRYSTAL POLYMER  
COLOR: NATURAL.
- ② CONTACT MATERIAL: PHOSPHOR-BRONZE.
- ③ CONTACT FINISH:  
UNDERPLATE (ENTIRE CONTACT):  
0.00127 MIN NICKEL.  
ON MATING SURFACES:  
CONFORMS TO ALL TESTING SPECIFIED FOR TELCORDIA  
UNCONTROLLED ENVIRONMENT.  
ON LEADS  
0.0006 MIN TIN-LEAD OVER UNDERPLATE.  
LUBRICATION (ENTIRE CONTACT):  
SURFACE CONDITIONER PER AMP SPEC 112-1002 AFTER PLATING.
- ④ PART MARKING LOCATED APPROXIMATELY AS SHOWN.



OBSOLETE	NO	214	107	215.88	③	540	1-223008-2
	NO	130	65	131.88	③	330	1-223008-1
	NO	118	59	119.88	③	300	1-223008-0
	NO	106	53	107.88	③	270	223008-9
	NO	94	47	95.88	③	240	223008-8
	NO	82	41	83.88	③	210	223008-7
	NO	70	35	71.88	③	180	223008-6
	NO	58	29	59.88	③	150	223008-5
	NO	46	23	47.88	③	120	223008-4
	NO	34	17	35.88	③	90	223008-3
	NO	22	11	23.88	③	60	223008-2
	YES	10	5	11.88	③	30	223008-1
POSITIONING PEGS	C	B	A	FINISH	NO OF SIGNAL POSN	PART NUMBER	

RECOMMENDED CIRCUIT PATTERN  
 PER IPC-D300 TYPE II, CLASS C  
 (COMPONENT SIDE)

THIS DRAWING IS A CONTROLLED DOCUMENT. **BUCHHEISTER** 08/FEB/96  
 CHK: **D. BAECHTLE** 08/FEB/96  
 APVD: **D. SINISI** 08/FEB/96

**Tyco Electronics** Tyco Electronics Corporation  
 Harrisburg, Pa 17105-3608

NAME: ASSEMBLY, RECEPTACLE, SIGNAL, RIGHT ANGLE, Z-PACK 2mm FB, 5 ROW, PRESS FIT LEAD  
 PRODUCT SPEC: -  
 APPLICATION SPEC: -

SIZE: A1 CAGE CODE: 00779 DRAWING NO: 223008  
 WEIGHT: -

MATERIAL: ① ② FINISH: ③  
 CUSTOMER DRAWING SCALE: 4:1 SHEET: 1 of 1 REV: P1